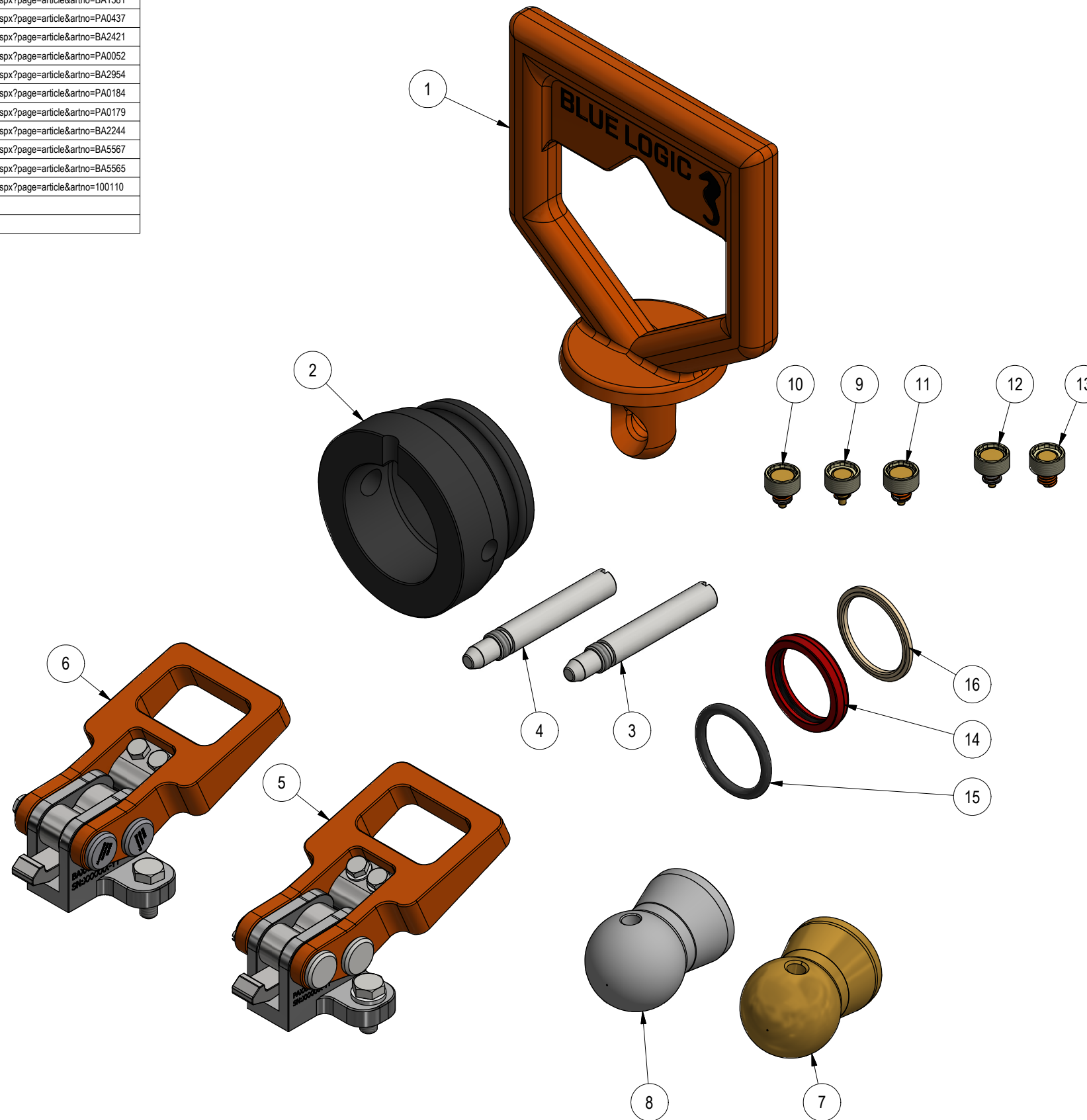


Parts List			
ITEM	PART No.	TITLE	WEBLINK
1	PA0049	D-Handle	http://e-sea.bluelogic.no/main.aspx?page=article&artno=PA0049
2	PA0050	Flex Element	http://e-sea.bluelogic.no/main.aspx?page=article&artno=PA0050
3	PA0051	Lock Bolt For Flex Handle	http://e-sea.bluelogic.no/main.aspx?page=article&artno=PA0051
4	BA1581	Lock Bolt For Flex Handle SD	http://e-sea.bluelogic.no/main.aspx?page=article&artno=BA1581
5	PA0437	Lock for Stab	http://e-sea.bluelogic.no/main.aspx?page=article&artno=PA0437
6	BA2421	Lock for Stab Long-term	http://e-sea.bluelogic.no/main.aspx?page=article&artno=BA2421
7	PA0052	Nose For Ø35 Stab	http://e-sea.bluelogic.no/main.aspx?page=article&artno=PA0052
8	BA2954	Nose For Ø35 Stab Long-term	http://e-sea.bluelogic.no/main.aspx?page=article&artno=BA2954
9	PA0184	One Way Check Valve Inlet 0,5Bar	http://e-sea.bluelogic.no/main.aspx?page=article&artno=PA0184
10	PA0179	One Way Check Valve Outlet 2Bar	http://e-sea.bluelogic.no/main.aspx?page=article&artno=PA0179
11	BA2244	One Way Check Valve Outlet 6Bar	http://e-sea.bluelogic.no/main.aspx?page=article&artno=BA2244
12	BA5567	One Way Check Valve Outlet 0,5Bar	http://e-sea.bluelogic.no/main.aspx?page=article&artno=BA5567
13	BA5565	One Way check Valve Inlet 2Bar	http://e-sea.bluelogic.no/main.aspx?page=article&artno=BA5565
14	100110	Stab Seal	http://e-sea.bluelogic.no/main.aspx?page=article&artno=100110
15	100165	O-Ring	
16	100109	Back Up Ring	



NOTE: 1
DESIGN CODE:
API 17H Type 1
ISO 13628-8

NOTE: 2
TECHNICAL CLASSIFICATION:
Article Type: 001-Hot Stabs
Main Group: 1.00. Misc Hot Stab
Intermediate Group: 1.51.09. Spares
Sub Group: 1.51.152.05. Service Parts

NOTE: 3
INTERFACE INFORMATION:
Pressure Rating Bar: N/A
Material: N/A
Weight: 2,3 kg
Volume: 0,39 dm³
Surface Area: 1415 cm²
Hydraulic: N/A
Mechanical: N/A
Electrical: N/A
Com. & Protocol: N/A

NOTE: 4
ADDITIONAL INFORMATION:
List of parts that can be maintained by certified personel, during service.



NOTE 5
One Way Check Valves are recommended to be replaced by Blue Logic AS. Blue Logic AS cannot guarantee correct functionality of the check valves if replacement is performed by customer. Blue Logic Warranty is no longer valid should check valves be replaced by customer within warranty period.

03	7.12.2020	9-IFU (Issued for Use)				HNJ	EKJ	HNJ
02	30.6.2015	9-IFU (Issued for Use)				WTJ	HNJ	WTJ
01	26.6.2014	9-IFU (Issued for Use)				WTJ	HNJ	WTJ
Rev.	Date	Reason for issue	Revision change	Made	Chk'd	Appr.		

BLUE LOGIC

Dwg Scale: NTS
Dwg Proj:

Drawing title:
Ø35 Stab Service Part Overview

Dwg Format: A3

Drawing number:
BA5286

Rev:
03